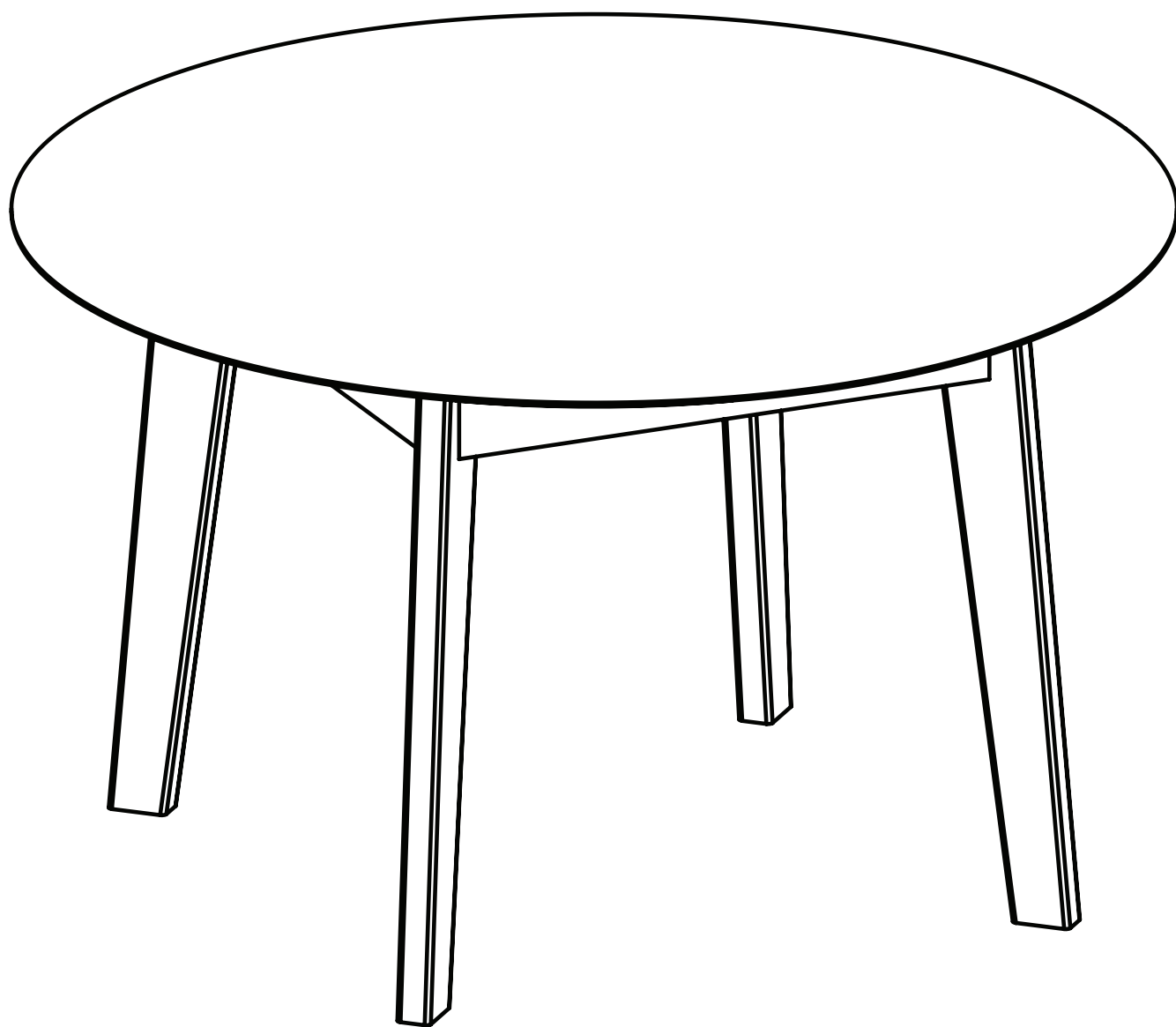


# EDGE

## ASSEMBLY INSTRUCTIONS



**L O N D O N   C O L L E C T I O N**

---

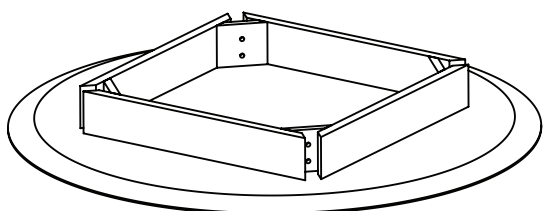
by BELAIR

# EDGE

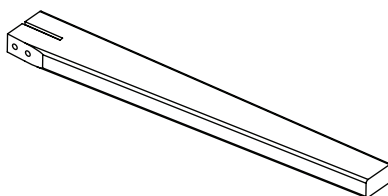
## ASSEMBLY INSTRUCTIONS

### COMPONENTS

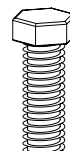
---



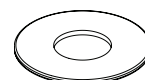
A  
x1



B  
x4



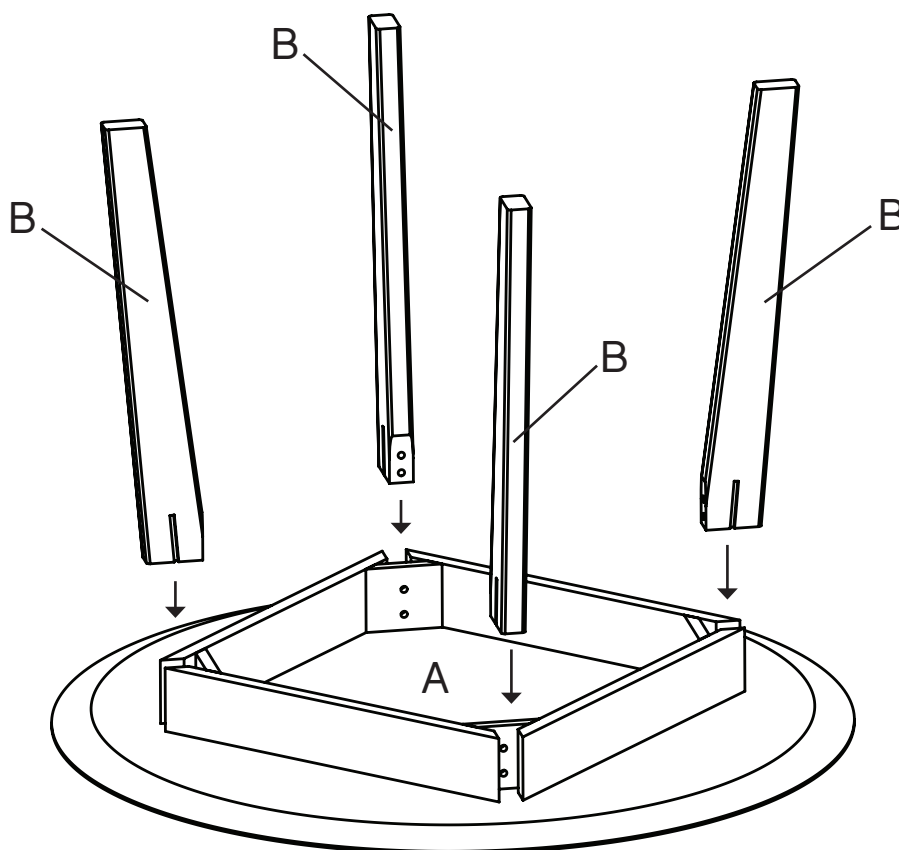
C  
x8



D  
x8

### STEP 1

---

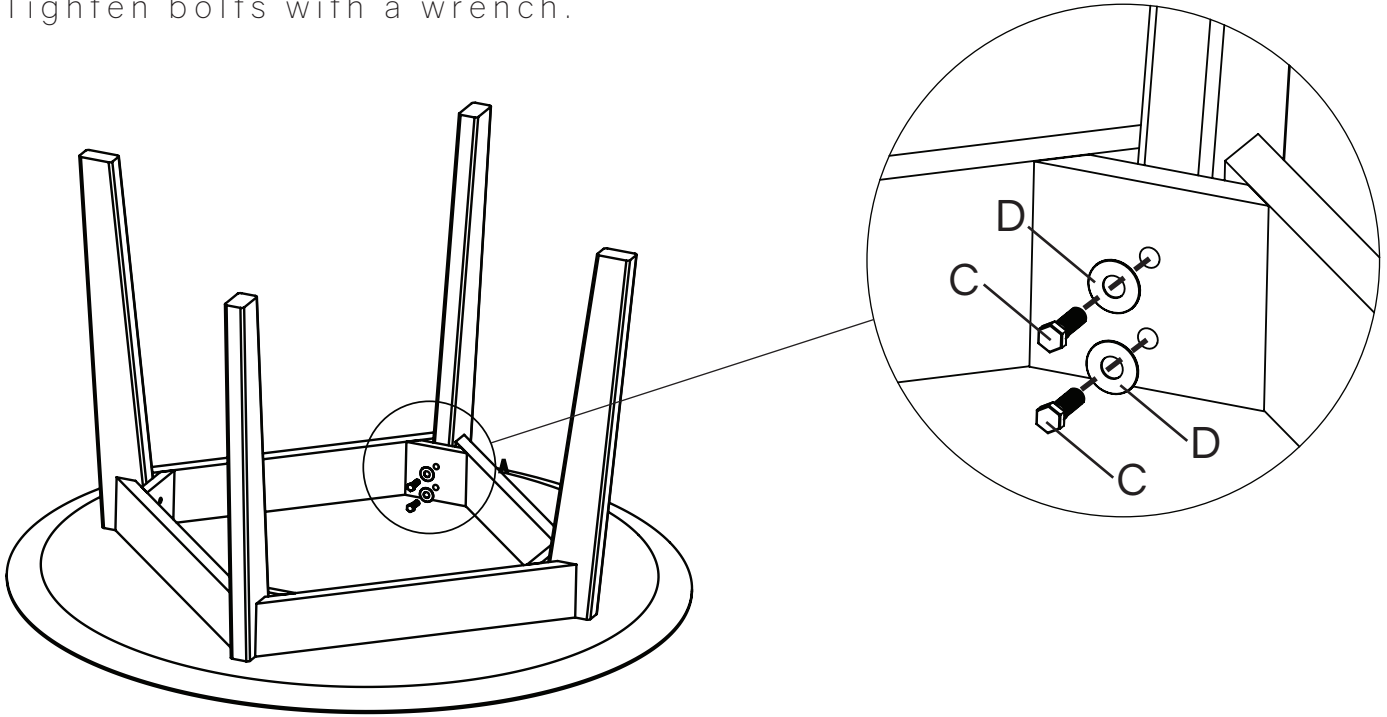


L O N D O N C O L L E C T I O N

## STEP 2

---

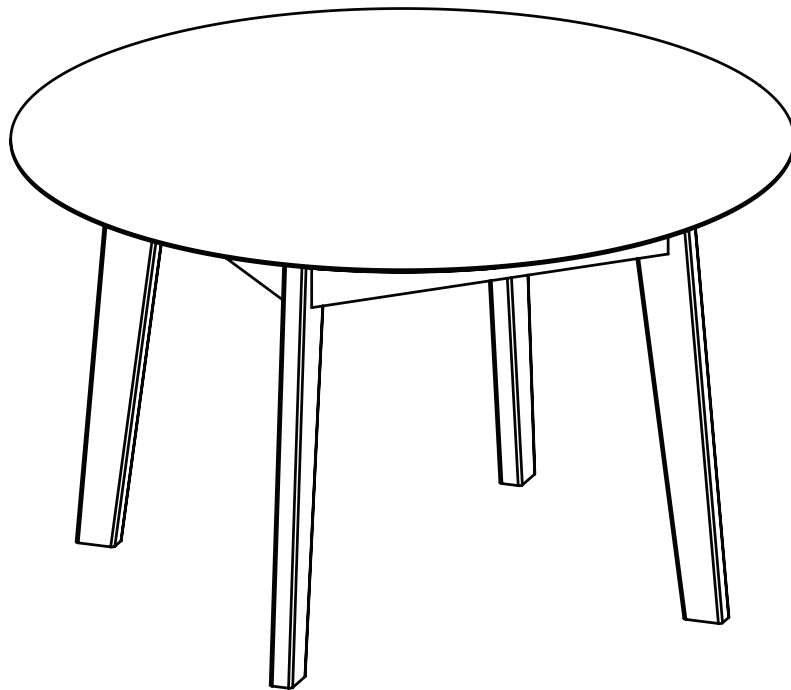
Tighten bolts with a wrench.



## STEP 3

---

With **TWO** people flip table over.  
During the transition, do not let the  
table weight rest on two legs only.



**L O N D O N   C O L L E C T I O N**