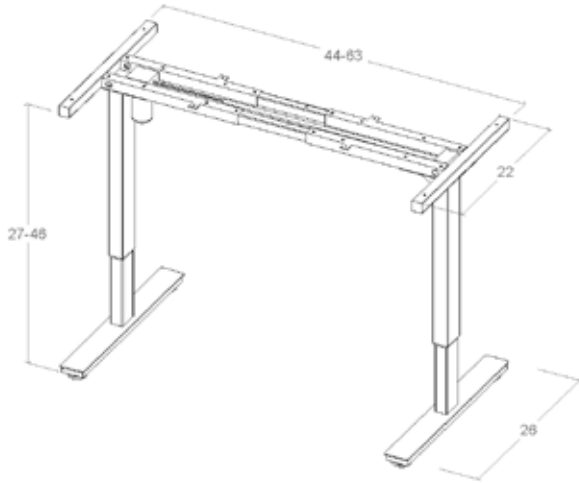




2016
Activate
Standing Desks



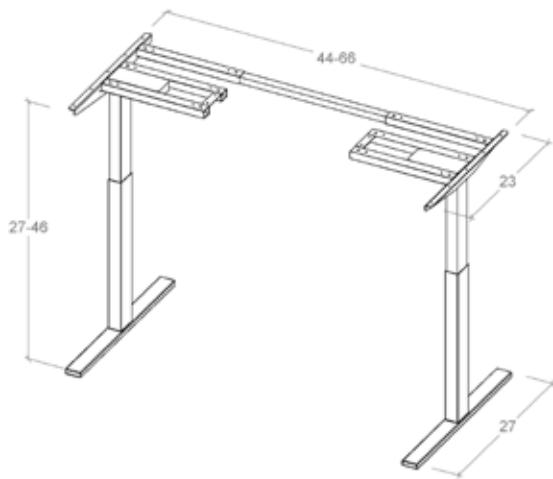
Bases



2 Leg Single Motor

	MODEL	LIST
Sit/Stand Single Motor Straight Desk Base	ASD-2LEG-1M	\$1,260

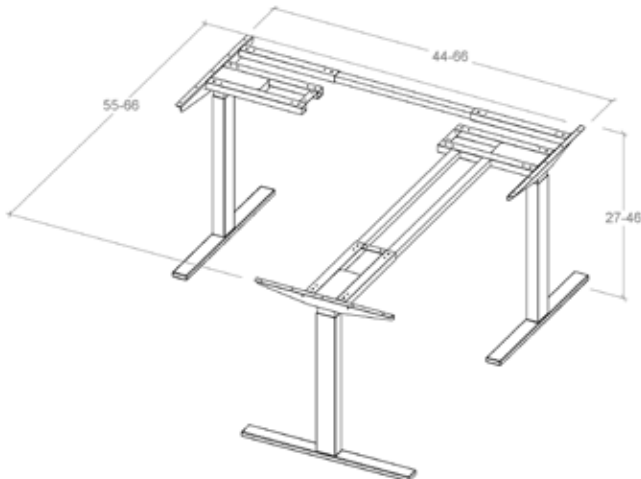
Stocked in Black (BK)
White (WH) and Grey (GR) available on request



2 Leg Dual Motor

	MODEL	LIST
Sit/Stand Dual Motor Straight Desk Base	ASD-2LEG-2M	\$1,556

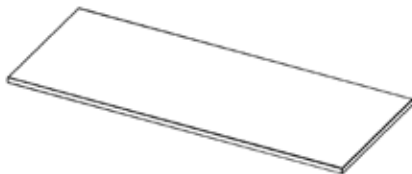
Stocked in Grey (GR)
White (WH) and Black (BK) available on request



3-Leg

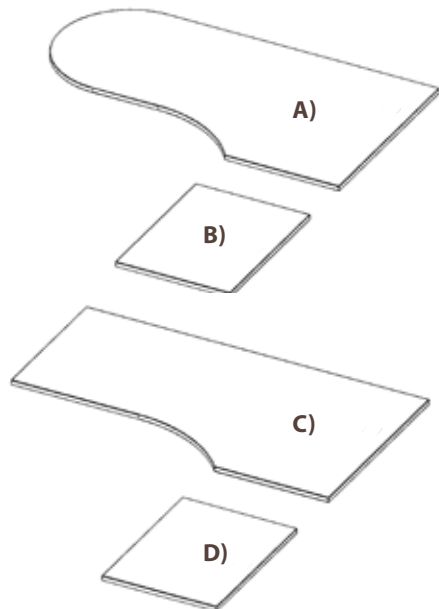
	MODEL	LIST
Sit/Stand Triple Motor L-Desk Base	ASD-3LEG-3M	\$2,520

Stocked in Grey (GR)
White (WH) and Black (BK) available on request



2- Leg Top Options

	MODEL	LIST
24x48" Rectangular Table Top	3737-2448	\$214
24x60" Rectangular Table Top	3737-2460	\$231
24x72" Rectangular Table Top	3737-2472	\$243
30x48" Rectangular Table Top	3737-3048	\$214
30x60" Rectangular Table Top	3737-3060	\$243
30x72" Rectangular Table Top	3737-3072	\$278



3- Leg Top Options

	MODEL	LIST
P-Table Top	A) 3384T-403072	\$402
24x32" Rectangular Table Top	B) 3737-2432	\$191
Extended Corner Top	C) 3135T-403072	\$459
24x32" Rectangular Table Top	D) 3737-2432	\$191

*Other tops available - contact us for pricing

*Additional \$62 list to add grommet cutout

2016
Activate
Standing Desks Catalogue



All of Belair's products are made of commercial grade melamine with finish on both sides of all panels. Tops and ends are one inch thick with 3mm PVC edgebanding that can be colour matched to any of our 15 colours. The materials used in our manufacturing process are durable and affordable and have been the leading standard in the office furniture industry for many years.

A Note on Safety

It is suggested that the design and placement of Activate Standing Desks allows for appropriate distances between movable surfaces in order to avoid risk of injury. Pinch points in which fingers, arms, and legs can be caught between should be avoided at all times.